

Safety & Warnings!

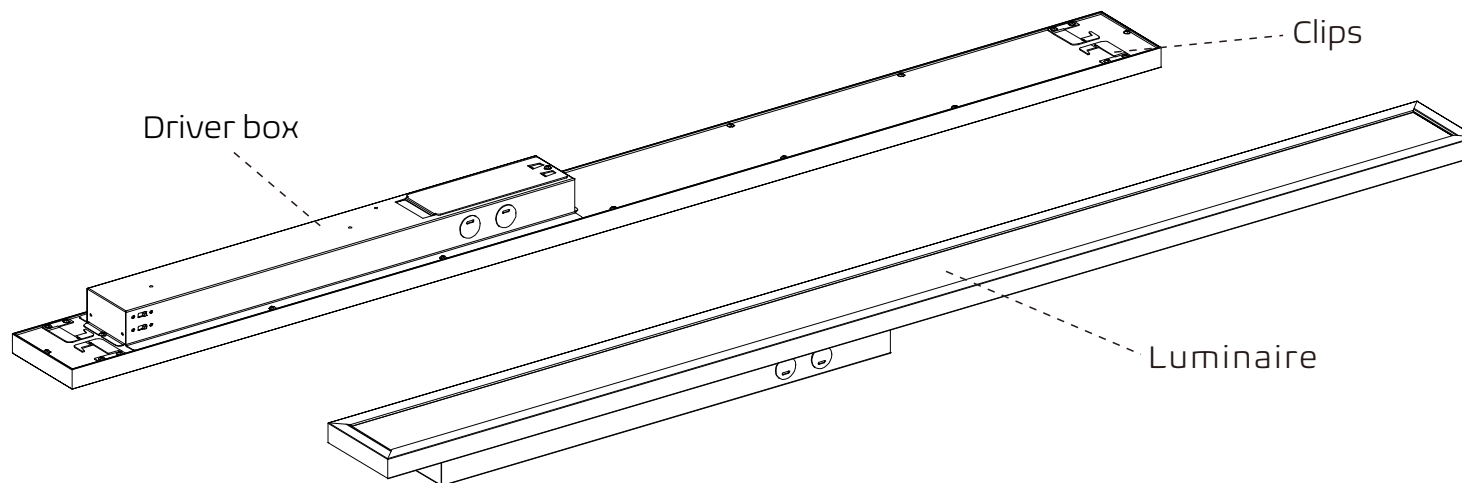
1. Read all instructions.
2. Install in accordance with national and local electrical code regulations.
3. This product is intended to be installed and serviced by a qualified, licensed electrician.
4. Do not install in wet locations. For dry and damp use only.
5. Turn off electrical power before installing or servicing fixture in any way.
6. To reduce the risk of fire and overheating, make sure all connections are tight.
7. Follow label information and instructions concerning Wet or Damp Locations, installation near combustible materials, insulation, building materials, and proper lamping. Do not install in areas subject to combustible vapors or gases.



SHOCK HAZARD! May result in serious injury or death. Turn power OFF at circuit breaker prior to installation or servicing.



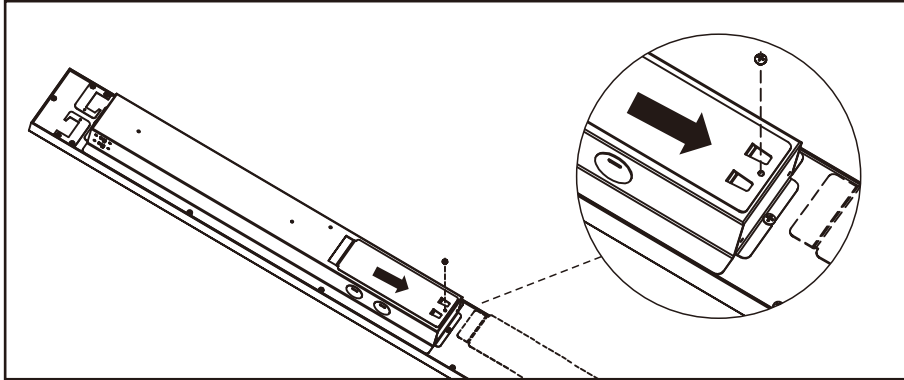
DO NOT PINCH OR PUT EXCESSIVE TENSION ON WIRES while joining sections or reattaching end caps.



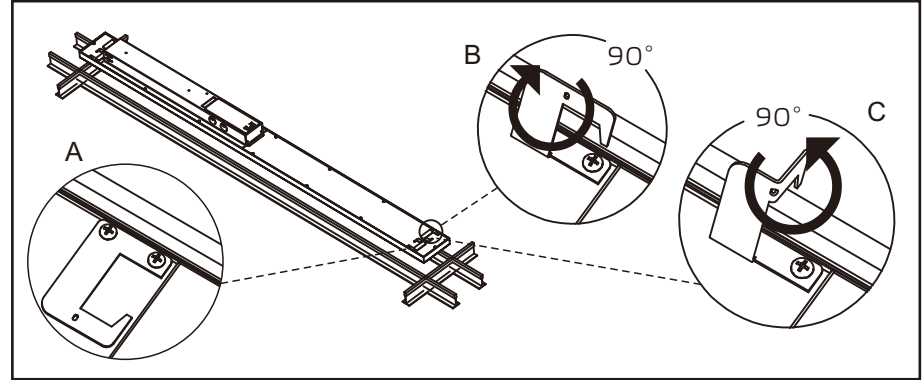
ATTENTION: Install in accordance with national and local building and electrical codes.

Page 1

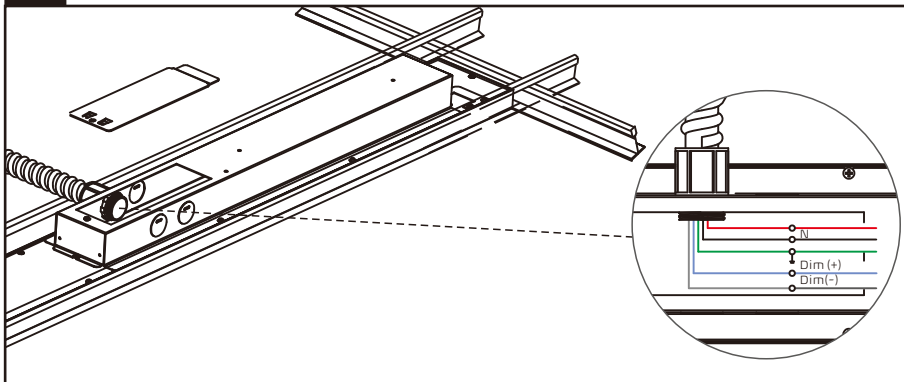
1 Unscrew and slide out the driver box.



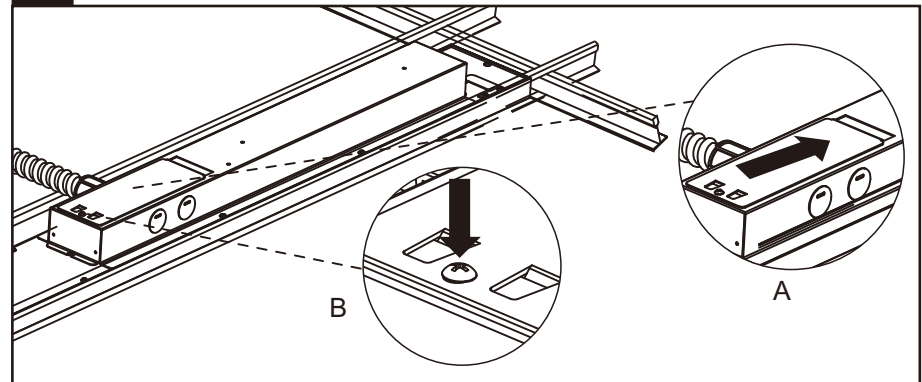
2 Adjust the fixture angle and bend the clips.



3 Proper wire connections.



4 Slide in the driver box and lock it.



ATTENTION: Install in accordance with national and local building and electrical codes.