

# Deep Regressed

Recessed-LED Commercial Downlight



OKT LED commercial downlights have been upgraded 4th generation since 2013. Each engine works seamlessly with the all trims, making it truly modular. It is the ideal way to upgrade virtually any existing incandescent, CFL and HID commercial open frame rough-in section to high-performance LED illumination in a matter of minutes. Light engine is mounted directly to aluminum trim providing superior thermal management to ensure long life. Spun aluminum reflector integrated with haze finish and white trim ring with shadow free.

It is available in 6", 8" and 10" with up to 80w which is designed and engineered for recessed applications, which is suitable for commercial and public places, such as shopping mall, hospital, airport, hotel lobby, etc.



## Feature

- UL, CUL, Energy Star and Damp Rated
- A smart design that one LED engine fits all trims
- 6", 8" and 10" size, 85lm/w, up to 80W
- CCT and wattage adjustable option
- Twist-Lock Modular design
- New construction housing frame available



## PERFORMANCE

Model NO.	Lumen Output			CCT Adjustable	Type
	High	Medium	Low		
CES-40W-TWS	40W, 3500LM	27W, 2300LM	18W, 1500LM	3000K, 3500K, 4000K	IC
CES-80W-XXE	80W, 6800LM	65W, 5500LM	50W, 4200LM	N/A	NON-IC

Remark: CES-40W-TWS with 6", 8", 10" trims are listed on Energy Star (CE#-40W-TWS). Above are subject to 3500K. All efficacy is ±5% base on different CCT and Trims. Check the IES file to gain the accurate data.

# Deep Regressed

Recessed-LED Commercial Downlight



## STRUCTURE

### ► Optics

Spun aluminum reflector integrated with haze finish and white trim ring with shadow free, deeply regressed diffusing lens conceals the LEDs from direct view.

### ► Electrical

LED Driver	Powered by Class 2 high efficiency LED driver, with a standard 1-10V dimming which continuous dims to 10% that works with many types of controls. Tested Dimmers: Lutron ® Diva-Dvtv, Leviton ® IP-710-DL.
THD	<20%
Power Factor	>0.9
Input Voltage	Standard electronic drivers are cULus recognized and available for 110-277V AC.

### ► LED System

CRI	Minimum 80 color rendering index
CCT	The choice of 3500K, 4000K color temperature with a great color consistency, or CCT adjustable from 3000K,3500K and 4000K.
LED	Life Minimum 50,000h with 87.8% of lumen maintenance in 25°C ambient temperature, in compliance with IES LM-80 testing measurements.
Thermal Management	Aluminum housing acting as the heat sink to maximize life.

### ► Mounting

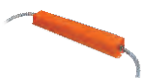
It is provided with spring steel friction clips allowing for installation in a variety of commercial recessed open frame rough-in sections.

### ► Approvals

- cULus listed for damp locations
- Energy Star Listed
- Tested to IESNA LM-79 and LM-80
- 5 years limited warranty

### ► Optional Function

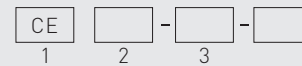
**Emergency Option** Optional low voltage emergency LED driver EM-L series can be provided. When AC power fails, it immediately switches to the emergency mode, operating for lighting up to 120 minutes. When AC power is restored, it automatically returns to the charging mode which meets critical life-safety lighting requirements.  
For more info or spec sheet, please visit [www.oktlighting.com](http://www.oktlighting.com) or contact sales.



## PRODUCT ORDERING GUIDE

### Sample

CE 6 - 40W - TWS  
1 2 3



### 1. Base Model

CE

### 2. Size

- 6 6"  
 8 8"  
 10 10"

### 3. Wattage & CCT

- 40W-TWS Wattage Adjustable 40W,27W,18W & CCT Adjustable 3000K, 3500K,4000K  
 80W-35E 80W 3500K  
 80W-40E 80W 4000K

## OPTIONAL ORDERING GUIDE

### Optional Mounting Accessory

- 6" Housing  
 8" Housing  
 10" Housing

### Optional Functions

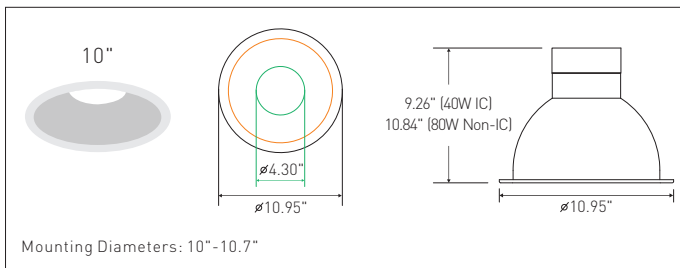
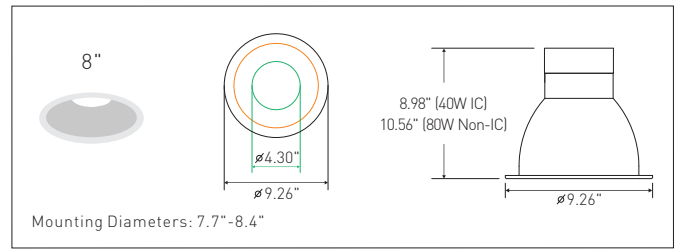
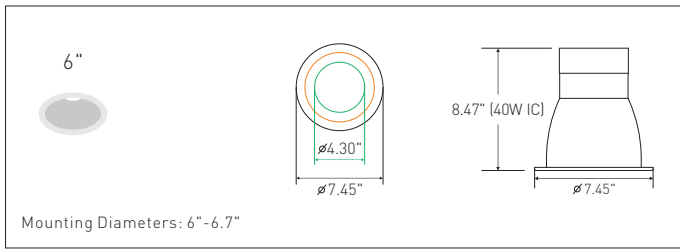
- Emergency

# Deep Regressed

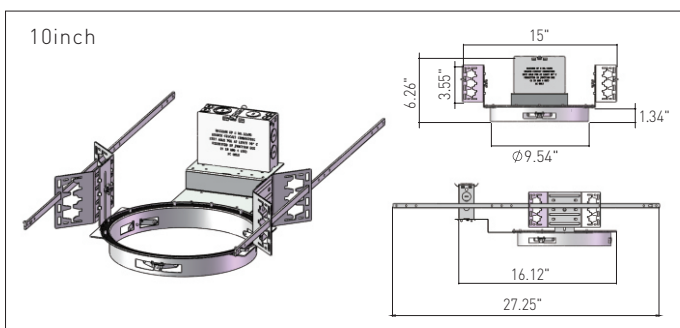
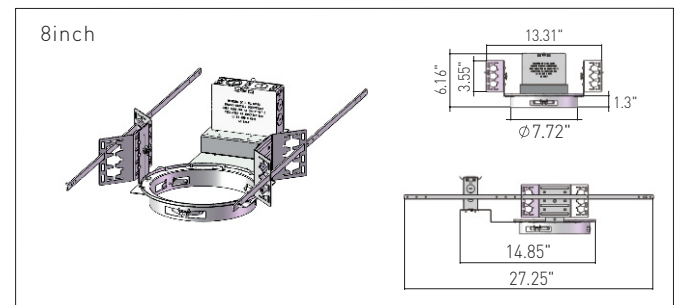
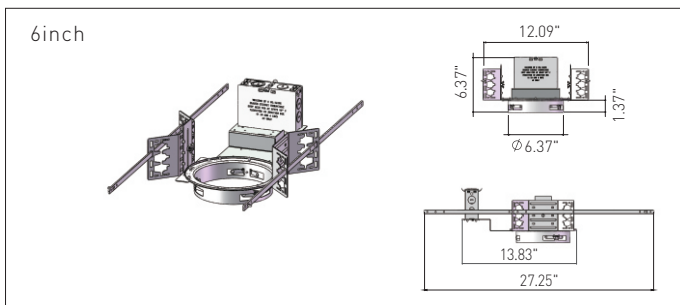
Recessed-LED Commercial Downlight



## DIMENSIONS



## OPTIONAL HOUSING



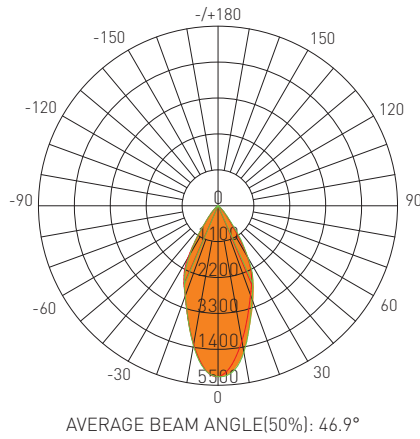
# Deep Regressed

Recessed-LED Commercial Downlight



## DISTRIBUTION DIAGRAM

### 8" -40W



Test Number: CE8-40W-30E UNIT: cd  
 Lumens: 3454.8 Lm — C0/180,23.6,23.1  
 Watts: 40 W — C90/270,23.2,24.0  
 LPW: 86.37 Lm/W  
 CCT: 3000K

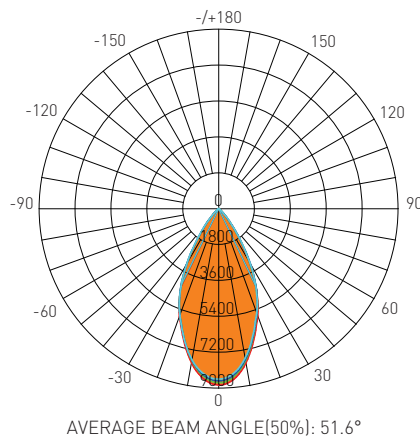
Zonal Flux Diagram

T	C0	C45	C90	C135	C180
10	4207	4415	4558	4486	4303
20	2908	2989	3048	3017	2951
30	1783	1845	1841	1886	1860
40	404.4	449.3	484.6	473.0	456.1
50	86.32	93.34	102.6	97.79	98.80
60	28.65	31.97	35.80	31.96	31.76
70	11.68	13.27	14.63	12.86	12.69
80	4.325	4.949	5.424	4.908	4.774
90	0.0042	0.0048	0.0057	0.0085	0.0064
100	0.0030	0.0028	0.0022	0.0028	0.0042
110	0.0069	0.0047	0.0056	0.0044	0.0083
120	0.0130	0.0125	0.0130	0.0125	0.0155
130	0.0296	0.0321	0.0255	0.0322	0.0305
140	0.0873	0.0858	0.0741	0.0856	0.0737
150	0.1587	0.1440	0.1159	0.1539	0.1406
160	0.1934	0.2072	0.1962	0.2238	0.2125
170	0.1596	0.2089	0.2004	0.2279	0.2055
180	0.1087	0.1105	0.1023	0.0966	0.1065
DEG	LUMINOUS INTENSITY:cd				

Zonal Lumens

T	φ total
0-10	456.9
10-20	1464
20-30	2576
30-40	3195
40-50	3372
50-60	3423
60-70	3443
70-80	3452
80-90	3454
90-100	3454
100-110	3454
110-120	3455
120-130	3455
130-140	3455
140-150	3455
150-160	3455
160-170	3455
170-180	3455
	UNIT: lm

### 8" -80W



Test Number: CE8-80W-30E UNIT: cd  
 Lumens: 6288.5 Lm — C0/180,51.0°  
 Watts: 80 W — C30/210,51.4°  
 LPW: 78.61Lm/W — C60/240,51.9°  
 CCT: 3000K — C90/270,52.0°

Zonal Flux Diagram

T	C0	C45	C90	C135	C180
10	7872	7743	7625	7552	7858
20	5741	5648	5579	5538	5777
30	3072	3196	3154	3133	3168
40	863.6	934.3	953.4	979.2	923.3
50	154.7	156.7	165.2	184.7	180.9
60	31.91	32.07	35.00	42.64	40.87
70	11.69	11.21	11.99	13.96	13.43
80	4.327	4.261	4.534	4.810	4.632
90	0.1629	0.1966	0.1448	0.1684	0.1504
100	0.1616	0.1471	0.1497	0.1443	0.1623
110	0.2522	0.2166	0.2029	0.2166	0.2211
120	0.5132	0.4694	0.4464	0.4604	0.4604
130	1.495	1.490	1.513	1.454	1.427
140	4.095	4.071	4.131	3.953	4.054
150	8.045	7.940	7.982	7.733	7.987
160	12.49	12.36	12.22	11.98	12.40
170	16.29	16.02	15.74	15.54	16.30
180	17.76	17.60	17.17	17.10	17.83
DEG	LUMINOUS INTENSITY:cd				

Zonal Lumens

T	φ total
0-10	775.2
10-20	2630
20-30	4656
30-40	5823
40-50	6169
50-60	6241
60-70	6261
70-80	6269
80-90	6271
90-100	6271
100-110	6272
110-120	6272
120-130	6273
130-140	6275
140-150	6278
150-160	6283
160-170	6287
170-180	6288
	UNIT: lm

Luminance cd/(m2)

G( DEG)	C0/180	C90/270
85	466	681
80	880	923
75	1033	1049
70	1207	1239
65	1530	1617
60	2255	2474
55	4114	4540
50	8505	9079
45	18529	21493