

ZETA 2.3"-Surface Mount

Spec-grade | Architectural LED Linear Lighting



OKT Zeta series 2.3" linear surface lighting is a unique linear series that brings any space to the center stage. These timeless, streamlined forms blend well with contemporary decors and modern workplaces. These linear luminaries is available in 2ft, 3ft, 4ft and 8ft, simply provide wide, powerful lighting to any atmosphere with continuous runs. Unleash lighting design flexibility with Zeta with different shapes and patterns, it adds fun factor into each room. These creations will let you suggest rhythm, communicate meaning and showcase element of life.

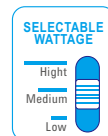
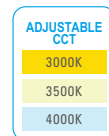
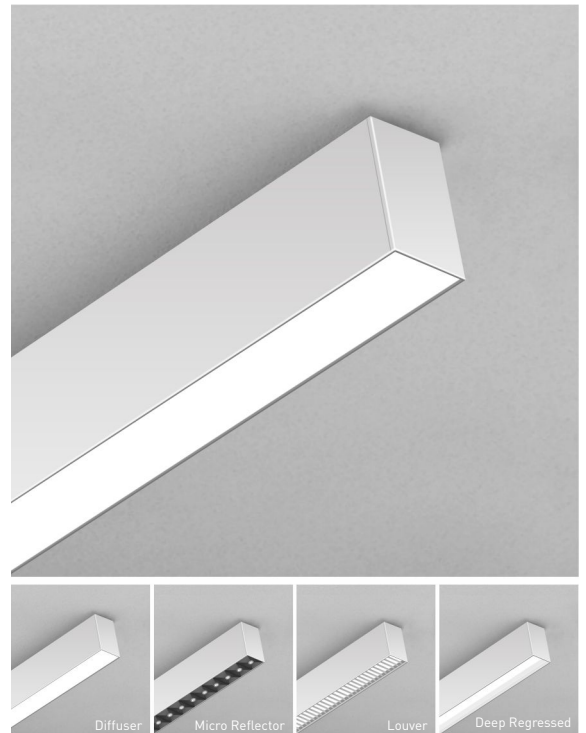
Feature

- Wattage selectable (50%/75%/100%)
- CCT adjustable from 3000K, 3500K, 4000K
- Available in diffuser, micro reflector, louver and deep regressed lens
- Individual units or continuous runs
- Custom pattern with optional Line, L, X, T, V ,Y joiners

PERFORMANCE

Lens	Lumen Package		
	High	Medium	Low
Diffuser	1000lm/ft, 10w/ft	750lm/ft, 7.5w/ft	500lm/ft, 5w/ft
Louver	700lm/ft, 10w/ft	525lm/ft, 7.5w/ft	350lm/ft, 5w/ft
Micro Reflector	900lm/ft, 10w/ft	675lm/ft, 7.5w/ft	450lm/ft, 5w/ft
Deep Regressed	800lm/ft, 10w/ft	600lm/ft, 7.5w/ft	400lm/ft, 5w/ft

Remark:
Micro reflector is single CCT, rather than CCT adjustable. 3500K and 4000K are available Quickship service.
Above are subject to 3500K. All efficacy is ±5% base on different CCT. Check the IES file to gain the accurate data .



PRODUCT PERFORMANCE

Optics

It offers a selection of professional lens such as diffuser, louver, micro reflector and deep regressed lens to meet your different requires.

Finish

- Extruded aluminum housing.
- Powder coat white and black finish or custom.

Electrical

LED Driver	It is powered by Class 2 high efficiency LED driver, with a standard 1-10V dimming which continuous dims to 10% that works with many types of controls. Tested Dimmers: Lutron @ Diva-Dvtv, Leviton @ IP-710-DL.
THD	<20%
Power Factor	>0.9
Input Voltage	Standard electronic drivers are cULus recognized and available for 110-277V or 110-347V* AC

Mounting

- Surface mount.
- Individual or continuous run
- Custom pattern with optional Line, L, X, T, V, Y joiners.

LED System

CRI	Minimum 80 color rendering index
CCT	CCT adjustable from 3000K,3500K and 4000K.
Environment	Damp rated for ambient operating temperature of -20°C to +40°C (-4° to+104°F)

Approvals

- cULus listed for damp locations
- 5 years limited warranty

PRODUCT ORDERING GUIDE

Default Settings: Maximum wattage, 4000K and 100% down.

Sample

ZE-4 2 - I TW D D

<input type="checkbox"/> ZE	-	<input type="checkbox"/>	-	<input type="checkbox"/> 2	-	<input type="checkbox"/> I	<input type="checkbox"/> TW	<input type="checkbox"/> D	<input type="checkbox"/>
1		2		3		4	5	6	7

1. Base Model

ZE ZETA

2. Length

2 2 feet 3 3 feet* 4 4 feet 8 8 feet

3. Width

2 2.3 inch

4. Driver

I Internal

5. CCT

TW Diffuser/Louver/Regressed CCT Adjustable (3000K,3500K,4000K) Micro reflector

30 3000K* 35 3500K 40 4000K

6. Light Distribution

D 100% Downlight

7. Optics Options

D Diffuser R Micro Reflector L Louver T Deep Regressed

OPTIONAL ORDERING GUIDE

Joiner

"—" pattern Rolling Diffuser (42')

"X" pattern "T" pattern "L" pattern

"V" pattern * "Y" pattern

Optional Functions

Emergency Option

Built-in LED Emergency Driver

Order Separated LED Emergency Driver

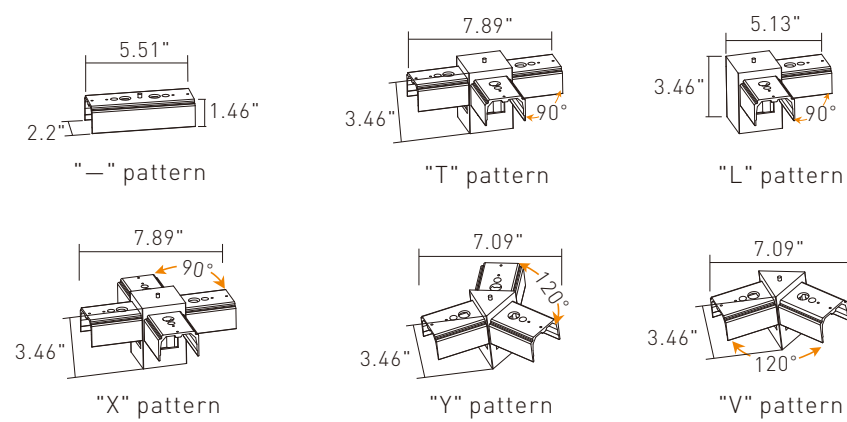
*Additional cost and/or lead time on customized fixtures may apply. Some fixtures require an MOQ. Please contact your sales rep for more information.

MOUNTING

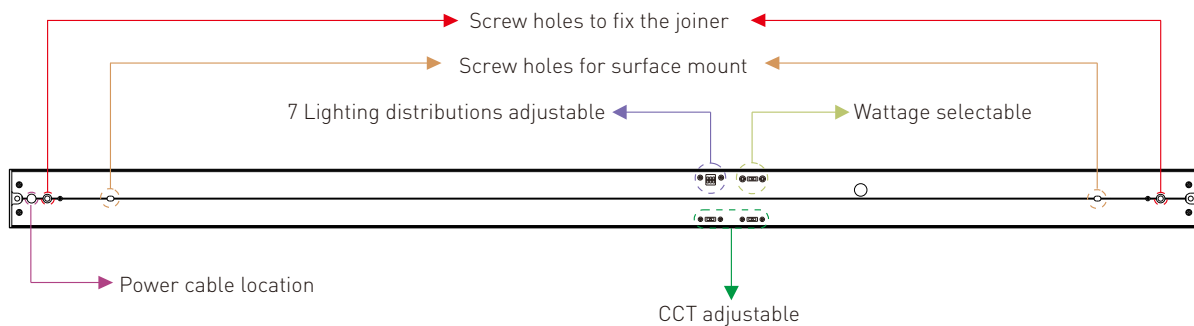
Surface Mounting Kits



Custom Pattern With Joiners

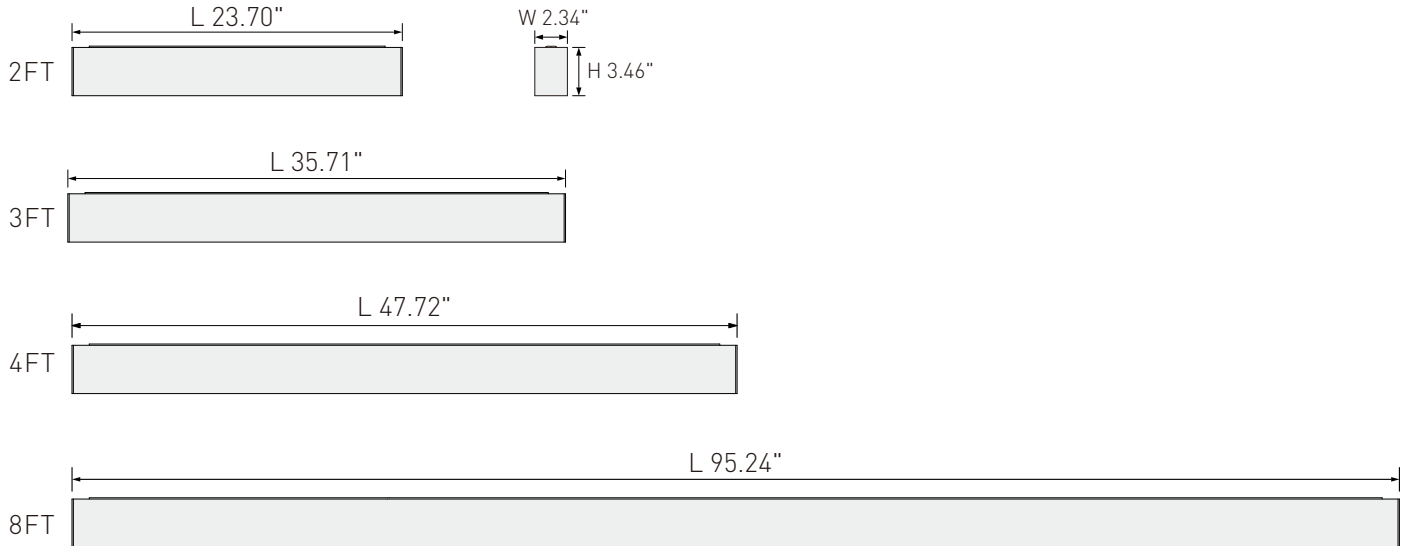


Mounting Location

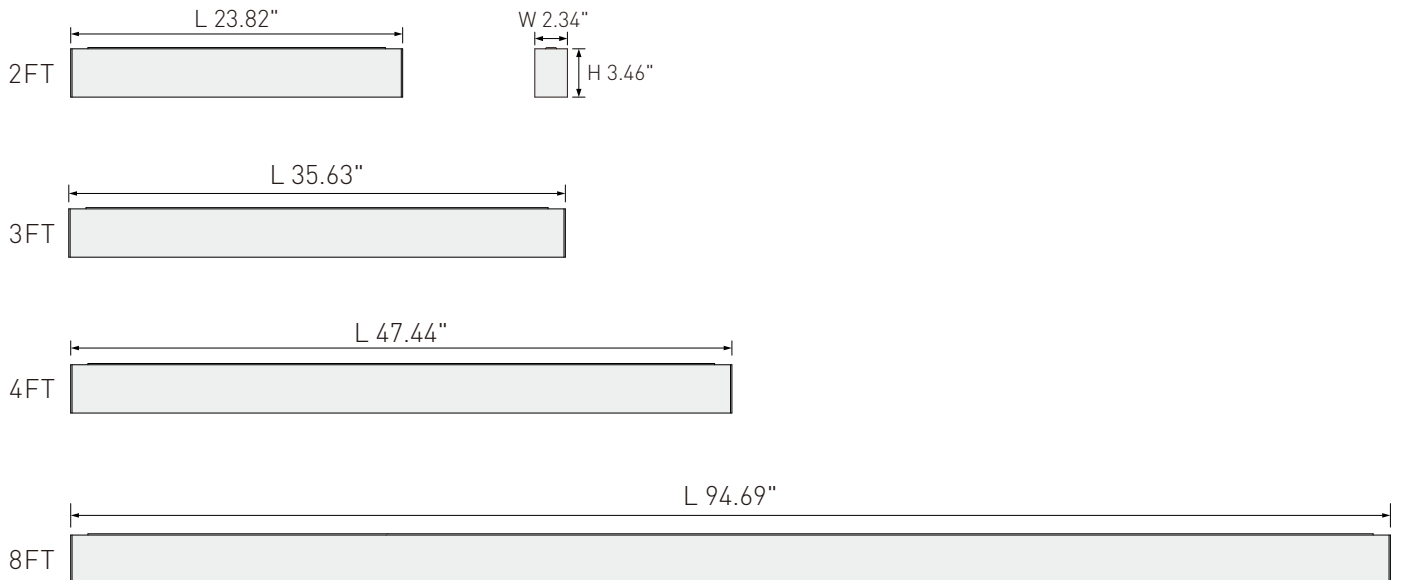


DIMENSIONS

Diffuser and Deep Regressed



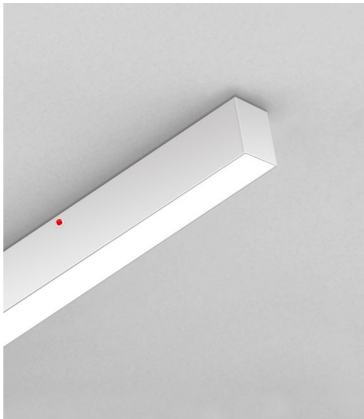
Micro Reflector and Louver



OPTIONAL FUNCTION

► Emergency Option

OKT Lighting offers UL& CEC Listed LED emergency drivers. They could be factory installed or field installed. When AC power fails it, immediately switches to the emergency mode operating for lighting minimum 90 minutes. When AC power is restored it, automatically returns to the charging mode which meets critical life-safety lighting requirements.



Built-in LED emergency driver

OKT Lighting offers the LED luminaire with built-in 8w LED emergency driver to provide critical illumination when normal power fails for any reason. It can save your labor cost with simple wiring.

Specification For LED Emergency Driver

Output Power	8 Watts
Output Voltage	15-54V DC
Input Current	70 mA (Max)
Input Power	3.2 Watts (Max)
Input Voltage	110-277VAC, 50-60Hz
Emergency Operation	≥90 Minutes
Standby Power	< 0.4W
Operating Temp	0°C to 50°C
Battery	Lithium
Recharge	24 Hrs
Certificate	UL , CEC

Code-Required Testing

• Initial Self-Test After Installation

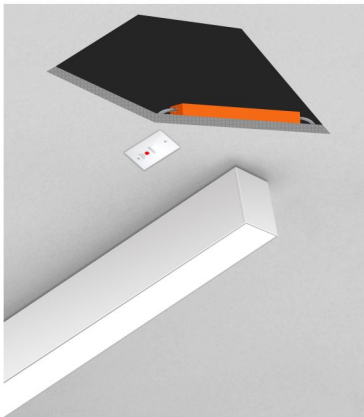
It will perform a functional test in 3 seconds after the driver installed to check the wiring and battery output when work. The indicator LED will be off or flicker in case of a failure or an error.

• Second Self-Test In 120 Minutes

It will perform second test in 120 minutes to check again. Upgrade in Gen 3: Repeat 4 times in every 120 minutes if fail in the second test.

• Monthly Self-Test

It will automatically perform a test every 30 days with a duration of 3 seconds, in which the wiring and battery output are checked. In case of a failure or an error, the indicator LED will be off or flicker.



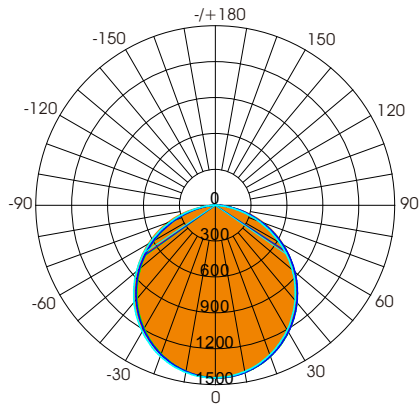
Order Separated LED emergency driver

Optional 8w or 25w high voltage LED emergency driver can be provided if you need and do it wiring in field. For more info or spec sheet please visit our, website or contact sales.



DISTRIBUTION DIAGRAM

4' / Diffuser/100% Down/ 4000K



AVERAGE BEAM ANGLE(50%): 111.3°

Lumens: 4069.1 Lm
Watts: 40 W
LPW: 104.21Lm/W
CCT: 4000K

UNIT: cd
— C0/180, 110.8°
— C30/270, 111.1°
— C60/240, 111.6°
— C90/270, 111.7°

Zonal Flux Diagram

τ	C0	C45	C90	C135	C180
10	1418	1421	1412	1398	1411
20	1340	1346	1331	1303	1327
30	1215	1225	1204	1164	1195
40	1049	1064	1038	988.4	1026
50	852.4	870.0	840.6	783.6	826.6
60	629.7	649.8	617.5	555.5	603.1
70	391.9	412.3	377.6	316.3	365.5
80	162.5	178.2	145.8	98.44	139.5
90	2.417	8.146	0.2768	0.4688	0.9405
100	0.5822	0.5917	0.6472	0.7610	0.6802
110	1.012	1.048	1.172	1.246	1.138
120	1.530	1.577	1.753	1.778	1.633
130	2.021	2.104	2.307	2.298	2.124
140	2.524	2.612	2.799	2.780	2.595
150	2.936	3.052	3.178	3.148	3.016
160	3.376	3.422	3.497	3.478	3.442
170	3.769	3.686	3.712	3.724	3.816
180	3.894	3.751	3.759	3.755	3.904
DEG	LUMINOUS INTENSITY:cd				

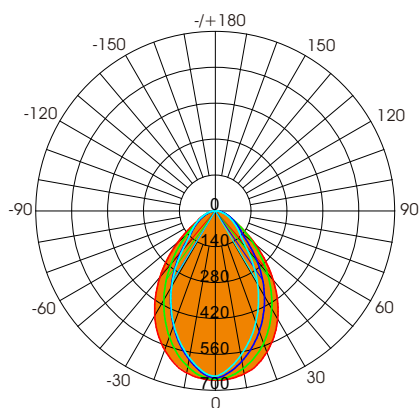
Zonal Lumens

τ	φ total
0-10	136.4
10-20	526.2
20-30	1115
30-40	1822
40-50	2553
50-60	3211
60-70	3708
70-80	3986
80-90	4058
90-100	4059
100-110	4060
110-120	4061
120-130	4063
130-140	4064
140-150	4066
150-160	4068
160-170	4069
170-180	4069
	UNIT: lm

Luminance cd/(m2)

G(DEG)	C0/180	C90/270
85	10884	8777
80	13119	11617
75	14803	13683
70	16064	15274
65	16980	16310
60	17655	17084
55	18170	17649
50	18591	18090
45	18924	18435

4' / Louver/100% Down/ 4000K



AVERAGE BEAM ANGLE(50%): 71.1°

Lumens: 2851.01 Lm
Watts: 40 W
LPW: 72.74 Lm/W
CCT: 4000K

UNIT: cd
— C0/180, 81.8°
— C30/270, 74.5°
— C60/240, 66.0°
— C90/270, 62.1°

Zonal Flux Diagram

τ	C0	C45	C90	C135	C180
10	645.7	610.0	572.8	575.5	641.7
20	587.1	526.2	462.3	462.7	577.7
30	486.9	413.4	331.5	334.2	473.3
40	351.7	286.0	191.4	205.6	336.2
50	205.1	164.5	118.0	108.3	190.8
60	90.14	93.22	76.60	62.48	83.96
70	48.20	54.13	44.63	31.41	45.20
80	18.14	24.87	19.03	7.752	16.38
90	0.0943	2.294	0.0883	0.0823	0.0696
100	0.0964	0.1004	0.0997	0.1329	0.1092
110	0.1738	0.1566	0.1725	0.2238	0.1899
120	0.3161	0.2657	0.2690	0.3677	0.3403
130	0.5296	0.4396	0.4225	0.5662	0.5586
140	0.7842	0.6746	0.6471	0.8129	0.8181
150	1.061	0.9656	0.9161	1.073	1.087
160	1.341	1.250	1.209	1.318	1.338
170	1.532	1.462	1.427	1.492	1.541
180	1.601	1.541	1.498	1.507	1.609
DEG	LUMINOUS INTENSITY:cd				

Zonal Lumens

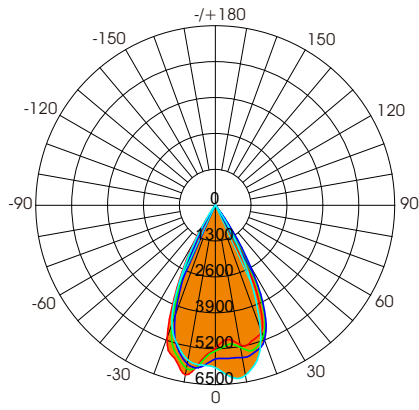
τ	φ total
0-10	59.69
10-20	217.7
20-30	427.4
30-40	632.8
40-50	788.8
50-60	891.2
60-70	954.3
70-80	987.8
80-90	997.0
90-100	997.3
100-110	997.4
110-120	997.7
120-130	998.0
130-140	998.4
140-150	999.0
150-160	999.5
160-170	999.9
170-180	1000
	UNIT: lm

Luminance cd/(m2)

G(DEG)	C0/180	C90/270
85	3109	3709
80	4137	4340
75	4858	4760
70	5581	5167
65	6368	5591
60	7139	6066
55	9642	6635
50	12635	7267
45	15571	7976

DISTRIBUTION DIAGRAM

4' / Micro Reflector/100% Down/ 4000K



AVERAGE BEAM ANGLE(50%): 51.7°

Lumens: 3840.82 Lm
Watts: 40 W
LPW: 99.09 Lm/W
CCT: 4000K

UNIT: cd
— C0/180, 51.9°
— C30/270, 52.6°
— C60/240, 52.5°
— C90/270, 49.7°

Zonal Flux Diagram

τ	C0	C45	C90	C135	C180
10	5120	5391	6262	6029	6239
20	4896	5241	4784	3135	5119
30	1657	2590	1455	264.5	1580
40	9.002	56.68	19.20	2.505	4.747
50	1.409	2.120	1.266	1.071	1.356
60	0.4646	0.7645	0.3787	0.3856	0.3831
70	0.3384	0.3652	0.3562	0.2976	0.2838
80	0.2346	0.3111	0.3337	0.2684	0.1577
90	0.1624	0.2953	0.2734	0.1060	0.0992
100	0.1218	0.1060	0.0812	0.1330	0.1264
110	0.1353	0.1128	0.1082	0.1330	0.1264
120	0.1443	0.1466	0.1443	0.1961	0.1578
130	0.2927	0.2661	0.4698	0.9288	0.3029
140	1.738	1.413	2.014	3.406	1.947
150	5.366	4.428	5.017	6.687	5.339
160	9.258	7.999	8.278	10.02	8.626
170	12.95	11.55	11.38	12.86	12.68
180	14.54	13.72	12.85	12.94	14.57
DEG	LUMINOUS INTENSITY:cd				

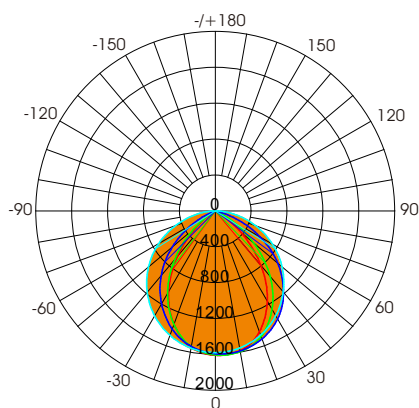
Zonal Lumens

τ	φ total
0-10	540.7
10-20	2029
20-30	3479
30-40	3822
40-50	3828
50-60	3829
60-70	3829
70-80	3830
80-90	3830
90-100	3830
100-110	3830
110-120	3830
120-130	3831
130-140	3831
140-150	3834
150-160	3837
160-170	3840
170-180	3841
	UNIT: lm

Luminance cd/(m2)

G(DEG)	C0/180	C90/270
85	31	47
80	19	27
75	15	19
70	14	14
65	13	12
60	13	11
55	18	15
50	30	27
45	43	52

4' / Deep Regressed/100% Down/ 4000K



AVERAGE BEAM ANGLE(50%): 92.7°

Lumens: 3185.10 Lm
Watts: 40 W
LPW: 81.30 Lm/W
CCT: 4000K

UNIT: cd
— C0/180, 75.9°
— C30/270, 81.3°
— C60/240, 98.3°
— C90/270, 115.4°

Zonal Flux Diagram

τ	C0	C45	C90	C135	C180
10	1583	1593	1552	1494	1546
20	1434	1513	1475	1304	1347
30	1163	1339	1349	1044	1044
40	790.0	1073	1178	714.1	652.8
50	382.2	734.4	972.0	357.8	253.6
60	60.93	354.3	733.4	66.49	9.481
70	3.607	50.38	472.8	3.429	1.964
80	1.129	3.391	209.4	1.111	0.5673
90	0.2172	0.8545	0.4901	0.1488	0.1127
100	0.1263	0.1488	0.6813	0.2888	0.1309
110	0.1532	0.3044	1.232	0.7484	0.2482
120	0.4461	0.7326	1.867	1.429	0.6274
130	1.000	1.326	2.485	2.185	1.259
140	1.740	2.047	2.990	2.888	2.048
150	2.579	2.800	3.400	3.436	2.864
160	3.454	3.432	3.725	3.853	3.604
170	4.080	3.887	3.937	4.115	4.176
180	4.329	4.088	3.973	4.031	4.324
DEG	LUMINOUS INTENSITY:cd				

Zonal Lumens

τ	φ total
0-10	150.3
10-20	574.1
20-30	1189
30-40	1871
40-50	2474
50-60	2884
60-70	3092
70-80	3165
80-90	3176
90-100	3176
100-110	3177
110-120	3178
120-130	3179
130-140	3180
140-150	3182
150-160	3184
160-170	3185
170-180	3185
	UNIT: lm

Luminance cd/(m2)

G(DEG)	C0/180	C90/270
85	91	14627
80	90	16749
75	110	18232
70	146	19198
65	212	19878
60	1692	20373
55	4751	20732
50	8259	21002
45	11457	21208