



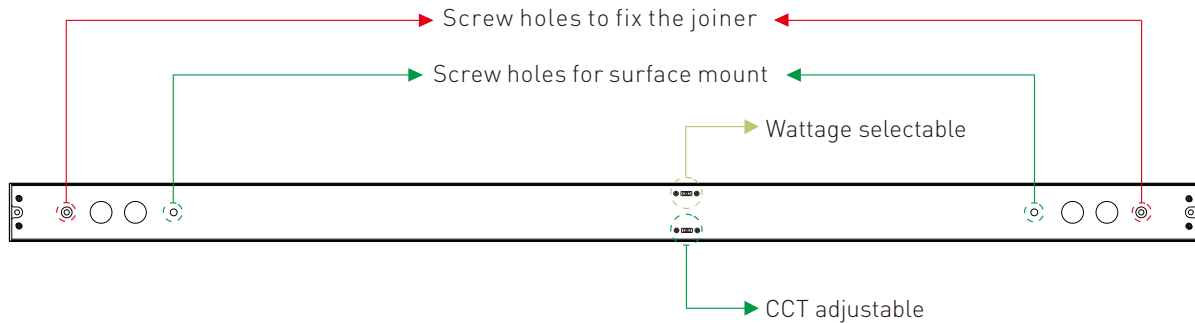


# ZETA 2.3"-Surface Mount

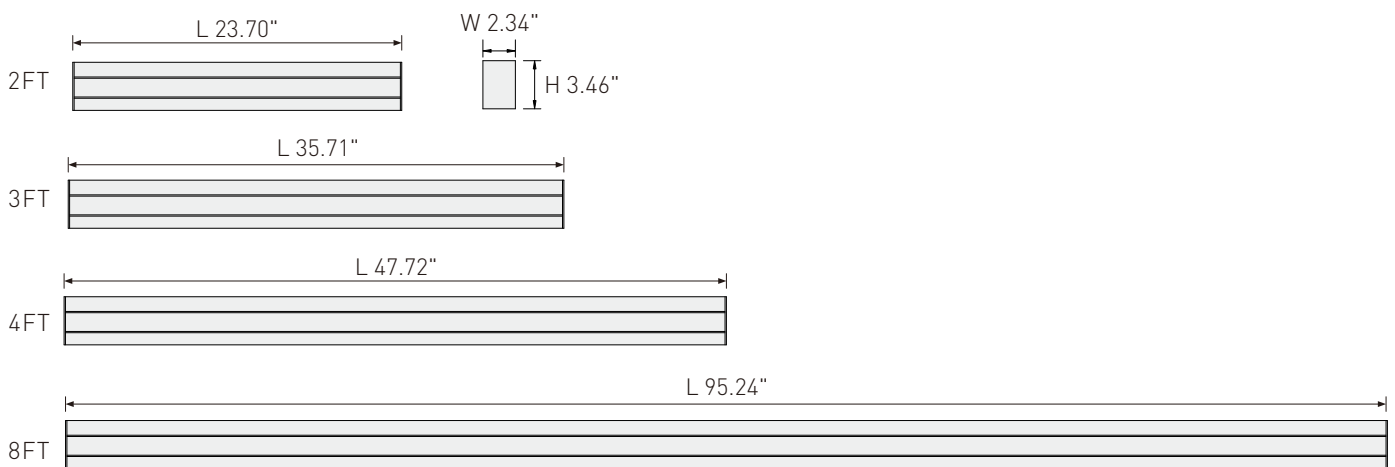
Spec-grade | Architectural LED Linear Lighting



## MOUNTING LOCATION



## DIMENSIONS



## OPTIONAL FUNCTION

### ► Emergency Option

OKT Lighting offers UL & CEC Listed LED emergency drivers. When AC power fails it, immediately switches to the emergency mode operating for lighting minimum 90 minutes. When AC power is restored it, automatically returns to the charging mode which meets critical life-safety lighting requirements.

### EME

#### Order Separated LED emergency driver

Optional 8w or 25w high voltage LED emergency driver can be provided if you need and do it wiring in field. For more info or spec sheet please visit our website or contact sales.

#### Code-Required Testing

##### • Initial Self-Test After Installation

It will perform a functional test in 3 seconds after the driver installed to check the wiring and battery output when work. The indicator LED will be off or flicker in case of a failure or an error.

##### • Second Self-Test In 120 Minutes

It will perform second test in 120 minutes to check again. Upgrade in Gen 3: Repeat 4 times in every 120 minutes if fail in the second test.

##### • Monthly Self-Test

It will automatically perform a test every 30 days with a duration of 3 seconds, in which the wiring and battery output are checked. In case of a failure or an error, the indicator LED will be off or flicker.

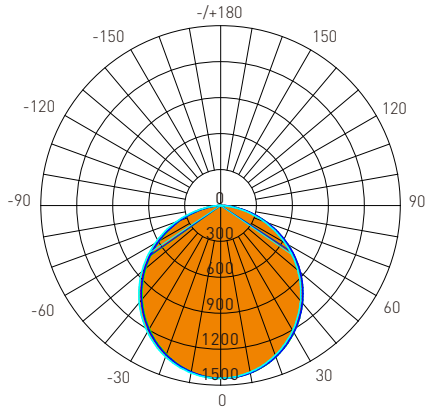
# ZETA 2.3"-Surface Mount

Spec-grade | Architectural LED Linear Lighting



## DISTRIBUTION DIAGRAM

4' / Diffuser / 3500K



AVERAGE BEAM ANGLE(50%): 111.3°

Lumens: 4069.1 Lms  
Watts: 39.05 W  
LPW: 104.21 Lm/W  
CCT: 3500K

UNIT: cd  
— C0/180, 110.8°  
— C30/210, 111.1°  
— C60/240, 111.6°  
— C90/270, 111.7°

Zonal Flux Diagram

τ	C0	C45	C90	C135	C180
10	1418	1421	1412	1398	1411
20	1340	1346	1331	1303	1327
30	1215	1225	1204	1164	1195
40	1049	1064	1038	988.4	1026
50	852.4	870.0	840.6	783.6	826.6
60	629.7	649.8	617.5	555.5	603.1
70	391.9	412.3	377.6	316.3	365.5
80	162.5	178.2	145.8	98.44	139.5
90	2.417	8.146	0.2768	0.4688	0.9405
100	0.5822	0.5917	0.6472	0.7610	0.6802
110	1.012	1.048	1.172	1.246	1.138
120	1.530	1.577	1.753	1.778	1.633
130	2.021	2.104	2.307	2.298	2.124
140	2.524	2.612	2.799	2.780	2.595
150	3.936	3.052	3.178	3.148	3.016
160	3.376	3.422	3.497	3.478	3.442
170	3.769	3.686	3.712	3.724	3.716
180	3.894	3.751	3.759	3.755	3.904
DEG	LUMINOUS INTENSITY:cd				

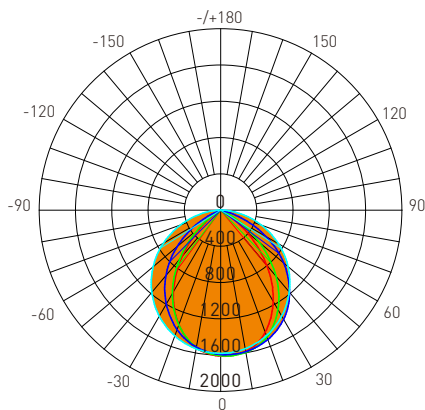
Zonal Lumens

τ	φ total
0-10	136.4
10-20	526.2
20-30	1115
30-40	1822
40-50	2553
50-60	3211
60-70	3708
70-80	3986
80-90	4058
90-100	4059
100-110	4060
110-120	4061
120-130	4063
130-140	4064
140-150	4066
150-160	4068
160-170	4069
170-180	4069
DEG	UNIT: lm

Luminance cd/(m2)

G(DEG)	C0/180	C90/270
85	10884	8777
80	13119	11617
75	14803	13683
70	16064	15274
65	16980	16310
60	17655	17084
55	18170	17649
50	18591	18090
45	18924	18435

4' / Regressed Lens / 3500K



AVERAGE BEAM ANGLE(50%): 92.7°

Lumens: 3185.1 Lms  
Watts: 39.18 W  
LPW: 81.30 Lm/W  
CCT: 3500K

UNIT: cd  
— C0/180, 75.9°  
— C30/210, 81.3°  
— C60/240, 98.3°  
— C90/270, 115.4°

Zonal Flux Diagram

τ	C0	C45	C90	C135	C180
10	1583	1593	1552	1494	1546
20	1434	1513	1475	1304	1347
30	1163	1339	1349	1044	1044
40	790.0	1073	1178	714.1	652.8
50	382.2	734.4	972.0	357.8	253.6
60	60.93	354.3	733.4	66.49	9.481
70	3.607	50.38	472.8	3.429	1.964
80	1.129	3.391	209.4	1.111	0.5673
90	0.2172	0.8545	0.4901	0.1488	0.1127
100	0.1263	0.1488	0.6813	0.2888	0.1309
110	0.1532	0.3044	1.232	0.7484	0.2482
120	0.4461	0.7326	1.867	1.429	0.6274
130	1.000	1.326	2.485	2.185	1.259
140	1.740	2.047	2.990	2.888	2.048
150	2.579	2.800	3.400	3.436	2.864
160	3.454	3.432	3.725	3.853	3.604
170	4.080	3.887	3.937	4.115	4.176
180	4.329	4.088	3.973	4.031	4.324
DEG	LUMINOUS INTENSITY:cd				

Zonal Lumens

τ	φ total
0-10	150.3
10-20	574.1
20-30	1189
30-40	1871
40-50	2474
50-60	2884
60-70	3092
70-80	3165
80-90	3176
90-100	3176
100-110	3177
110-120	3178
120-130	3179
130-140	3180
140-150	3182
150-160	3184
160-170	3185
170-180	3185
DEG	UNIT: lm

Luminance cd/(m2)

G(DEG)	C0/180	C90/270
85	91	14627
80	90	16749
75	110	18232
70	146	19198
65	212	19878
60	1692	20373
55	4751	20732
50	8259	21002
45	11457	21208

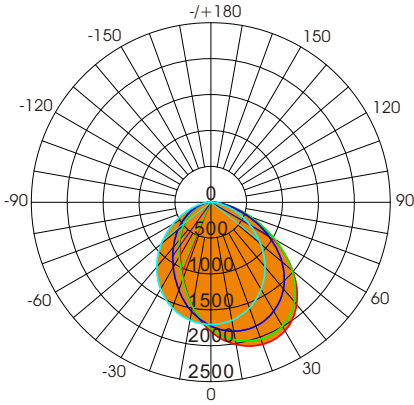
# ZETA 2.3"-Surface Mount

Spec-grade | Architectural LED Linear Lighting



## DISTRIBUTION DIAGRAM

4' / Diffuser/50% Up,50% Down/ 4000K



AVERAGE BEAM ANGLE(50%): 91.4°

Lumens: 4602.1 Lm  
Watts: 41.95 W  
LPW: 109.71 Lm/W  
CCT: 4000K

UNIT: cd  
 - C0/180, 81.4°  
 - C30/270, 85°  
 - C60/240, 95.3°  
 - C90/270, 103.8°



18"-30" Recommended Distance from Wall

### Zonal Flux Diagram

T	C0	C45	C90	C135	C180
10	2010	1892	1670	1472	1483
20	2106	1945	1568	1184	1126
30	2066	1891	1398	927.9	861.6
40	1860	1716	1174	715.0	661.5
50	1489	1408	904.0	528.6	494.0
60	10086	996.3	622.2	361.1	345.2
70	553.6	571.0	356.6	210.1	208.9
80	213.5	226.9	137.6	82.39	92.18
90	14.38	17.50	1.568	1.378	4.851
100	5.281	2.620	0.6399	0.9592	0.9344
110	1.389	0.8569	1.168	1.720	1.700
120	1.055	1.211	1.816	2.574	2.615
130	1.424	1.613	2.405	3.370	3.507
140	1.853	2.077	2.993	3.994	4.244
150	2.385	2.631	3.488	4.418	4.753
160	3.118	3.275	3.898	4.626	5.061
170	4.023	3.919	4.192	4.626	5.093
180	4.706	4.381	4.215	4.300	4.720
DEG	LUMINOUS INTENSITY:cd				

### Zonal Lumens

T	φ total
0-10	163.5
10-20	625.8
20-30	1318
30-40	2145
40-50	2988
50-60	3717
60-70	4233
70-80	4509
80-90	4586
90-100	4590
100-110	4591
110-120	4593
120-130	4595
130-140	4597
140-150	4599
150-160	4061
160-170	4062
170-180	4062
	UNIT: lm

### Luminance cd/(m2)

G(DEG)	C0/180	C90/270
85	14792	9050
80	17074	11003
75	19709	12753
70	22480	14479
65	25273	15947
60	28006	17283
55	30421	18643
50	32173	19532
45	33247	20509