

META Up/Down Linear-Pendant

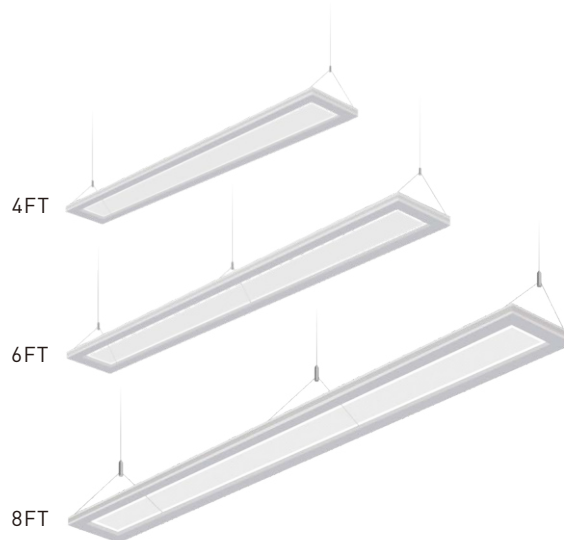
Spec-grade | Architectural LED Linear



OKT Up/down linear is a commercial pendant lighting fixture utilizing an advanced LED optical system to achieve superior performance. The unique design is nearly transparent luminaire when off and excellent uniformity and efficiency when on, reaching 55% downlighting and 45% uplighting distribution, making the illusion of the light floating in mid-air. It has CCT adjustable optional function which is available in 3000K, 3500K and 4000K. It's highly engineered luminaire joining design allows for simple and intuitive assembly in the field without tools which is perfect for applications that include conference rooms, open offices, retail settings, anywhere you want to make a statement.

Features

- UL, cUL Listed, DLC Qualification, Damp Rated
- Available in 4', 6' and 8' length
- Transparent optics
- 0-10V dimming, dim to 10% or 1% options
- 55% downlight and 45% uplight distribution
- Internal & replaceable driver
- CCT adjustable from 3000k, 3500k, 4000k
- Continuous runs



PERFORMANCE

Dimension	Wattage	Efficacy@4000K	Lumen@4000K
8" x 4'	40W	1200lm/ft	4800lm
8" x 6' *	60W	1200lm/ft	7200lm
8" x 8'	80W	1200lm/ft	9600lm

* 6FT 60W is not DLC qualification.

Lumen output may vary by ±5% based on different CCT and wattage settings. Actual wattage may also vary by ±5%.

Correlated CCT Multiplier	3000K	3500K
Multiplier for Lumen Output	0.95	1.05

Apply to 4000K only in table above to approximate output at other CCT.

PRODUCT ORDERING GUIDE

Example: DP4-WH-4800L-D10-80TW

Default Settings: 4000K

DP					80	TW
Product Series	Length	Finish	Lumen	0-10V Dim	CRI	CCT
DP META UP/DOWN	4 QuickShip 4 Feet	WH QuickShip White	4800lm QuickShip 4ft, up to 4800lm	D10 QuickShip 110-277V AC Dims to 10% <i>Tested Dimmers: Lutron® Diva-Dvtr, Leviton® IP-710-DL.</i>	80 QuickShip 80+ CRI (Standard)	TW CCT adjustable 3000K/3500K/4000K
	6 6 Feet*	BL QuickShip Black	7200lm 6ft, up to 7200lm*		90 90+ CRI*	
	8 QuickShip 8 Feet	CM Custom *	9600lm QuickShip 8ft, up to 9600lm	D01 QuickShip 110-277V AC Dim to 1%		

Note: UL Listed Model#s have been updated. The actual product label may appear to be different than actual specsheet.

OPTIONAL PENDANT ACCESSORY

Ceiling Type	Canopy	Power Cord & Aircraft cable	Optional Functions
DW QuickShip Dry ceiling Mount to J-box	RDWH QuickShip 1.6" Round & White 4.5" Round & White (Designed for power cable)	C05WH QuickShip 4 ft white power cord + 5ft aircraft cable	EME QuickShip Emergency Function (Order separated external LED emergency driver)
TF QuickShip Drop ceiling clips for 9/16" and 15/16" flat ceiling	SQWH QuickShip 1.6" Square & White 4.5" Square & White (Designed for power cable)	C12WH QuickShip 12 ft white power cord + 12ft aircraft cable	OC QuickShip Sensor Function (Order separated occupancy sensor that built-in 5.8inch round canopy)
TS QuickShip Drop ceiling clips for 9/16" slot Ceiling	RDBL QuickShip 1.6" Round & Black 4.5" Round & Black (Designed for power cable)	C05BL QuickShip 4 ft black power cord + 5ft aircraft cable	
TX QuickShip Drop ceiling clips for 15/16" slot Ceiling	SQBL QuickShip 1.6" Square & Black 4.5" Square & Black (Designed for power cable)	C12BL QuickShip 12 ft black power cord + 12ft aircraft cable	

CUSTOM LINE ORDERING GUIDE

Example: DP-C18-WH-D10-DW-RDWH-C05WH

CUSTOM LINE (ENTER LENGTH IN FEET)	Finish	0-10V Dim	Ceiling Type	Canopy	Power Cord & Aircraft cable
DP-C ___ Up to 8ft Continuous Run Section (Enter length in product code above, ex. C18)	WH QuickShip White BL QuickShip Black CM Custom *	D10 QuickShip 110-277V AC Dims to 10% <i>Tested Dimmers: Lutron® Diva-Dvtr, Leviton® IP-710-DL.</i> D01 QuickShip 110-277V AC Dim to 1%	DW QuickShip Dry ceiling Mount to J-box TF QuickShip Drop ceiling clips for 9/16" and 15/16" flat ceiling TS QuickShip Drop ceiling clips for 9/16" slot Ceiling TX QuickShip Drop ceiling clips for 15/16" slot Ceiling	RDWH QuickShip 1.6" Round & White 4.5" Round & White (Designed for power cable) SQWH QuickShip 1.6" Square & White 4.5" Square & White (Designed for power cable) RDBL QuickShip 1.6" Round & Black 4.5" Round & Black (Designed for power cable) SQBL QuickShip 1.6" Square & Black 4.5" Square & Black (Designed for power cable)	C05WH QuickShip 4 ft white power cord + 5ft aircraft cable C12WH QuickShip 12 ft white power cord + 12ft aircraft cable C05BL QuickShip 4 ft black power cord + 5ft aircraft cable C12BL QuickShip 12 ft black power cord + 12ft aircraft cable

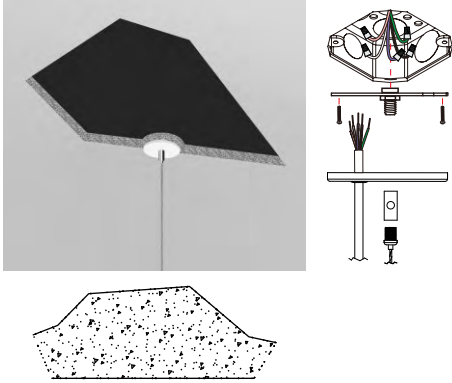
* means additional cost and/or lead time on customized fixtures may apply. Some fixtures require an MOQ. Please contact your sales rep for more information.

Damp rated for ambient operating temperature of -20°C to +40°C [-4° to +104°F]

MOUNTING

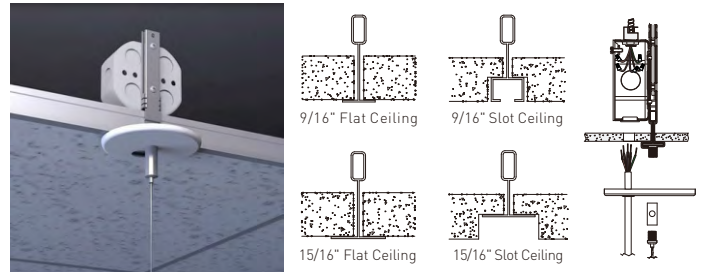
Dry Ceiling / Off Grid

"Various Hard Ceilings" (Mount to J-box)



Drop Ceiling / On Grid

Suspending the luminaire in the T-grid. Compatible for various T-grid, including 9/16" Flat, 9/16" Slot, 15/16" Flat.



*Please see the installation instruction for more details.

Pendant Accessories For Dry Ceiling For 4'

Canopy Kits



Mounting Kits



4FT Standard(12FT Available)

5FT Standard(12FT Available)



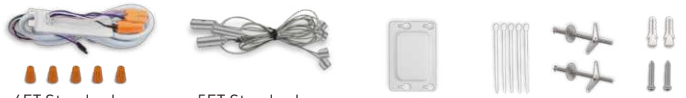
Junction Plate

Pendant Accessories For Drop Ceiling For 4'

Canopy Kits



Mounting Kits



4FT Standard
(12FT Available)

5FT Standard
(12FT Available)

Junction Plate

T-grid Clips



For 9/16" and 15/16" Flat Ceiling
(2 Clips/Set)

For 9/16" Slot Ceiling
(2 Clips/Set)

For 15/16" Slot Ceiling
(2 Clips/Set)

Pendant Accessories For Dry Ceiling For 6' or 8'

Canopy Kits



Mounting Kits



4FT Standard(12FT Available)

5FT Standard(12FT Available)



Junction Plate

Pendant Accessories For Drop Ceiling For 6' or 8'

Canopy Kits



Mounting Kits



4FT Standard
(12FT Available)

5FT Standard
(12FT Available)

Junction Plate

T-grid Clips



For 9/16" and 15/16" Flat Ceiling
(2 Clips/Set)

For 9/16" Slot Ceiling
(2 Clips/Set)

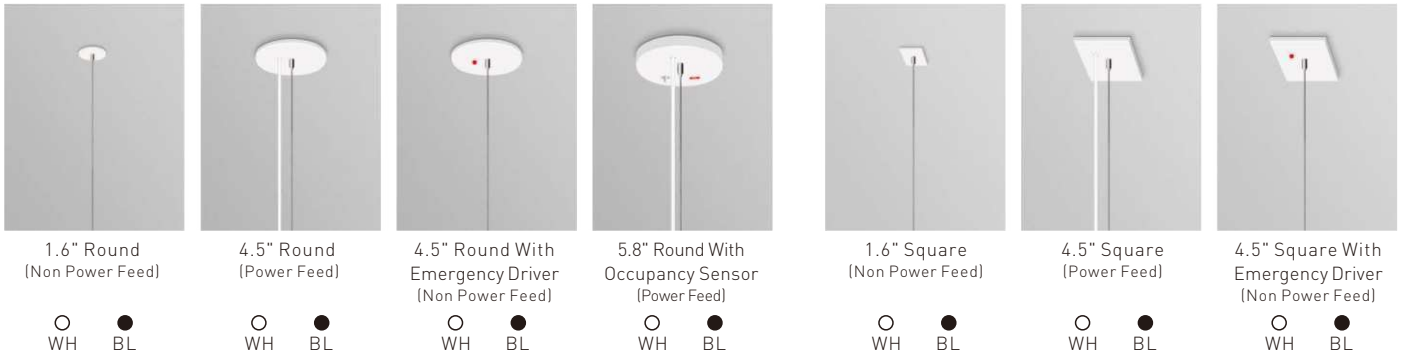
For 15/16" Slot Ceiling
(2 Clips/Set)

META Up/Down Linear-Pendant

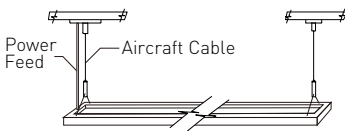
Spec-grade | Architectural LED Linear



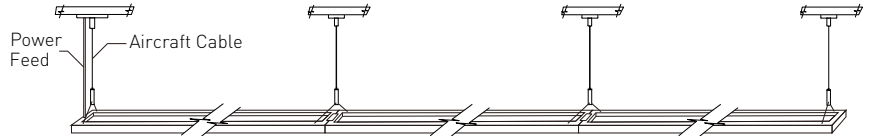
Canopy Style



Individual



Continuous Run

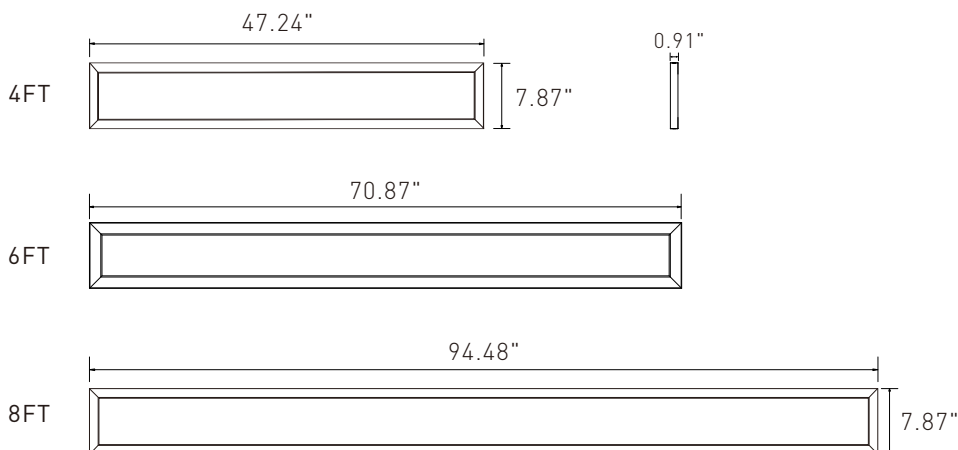


The maximum connection of each input line is up to 40FT in 120AC, 100FT in 277AC.

Standard Line Runs In 120V

Luminaire Run Length (ft)	Run Configuration	5' Power Cable	5' Aircraft Cable	Canopy
4	4'	1	2	2
8	8'	1	3	3
12	6'+6'	1	3	3
16	8'+8'	1	5	5
20	8'+8'+4'	1	6	6
24	8'+8'+8'	1	7	7
28	8'+8'+8'+4'	1	8	8
32	8'+8'+8'+8'	1	9	9
36	6'+6'+6'+6'+6'+6'	1	7	7

DIMENSIONS



OPTIONAL FUNCTION

► Emergency Option

OKT Lighting offers UL& CEC Listed LED emergency drivers. When AC power fails it, immediately switches to the emergency mode operating for lighting minimum 90 minutes. When AC power is restored it, automatically returns to the charging mode which meets critical life-safety lighting requirements.



EME

Order Separated LED emergency driver

Optional 8w or 25w high voltage LED emergency driver can be provided if you need and do it wiring in field. For more info or spec sheet please visit our, website or contact sales.



Code-Required Testing

- Initial Self-Test After Installation

It will perform a functional test in 3 seconds after the driver installed to check the wiring and battery output when work. The indicator LED will be off or flicker in case of a failure or an error.

- Second Self-Test In 120 Minutes

It will perform second test in 120 minutes to check again. Upgrade in Gen 3: Repeat 4 times in every 120 minutes if fail in the second test.

- Monthly Self-Test

It will automatically perform a test every 30 days with a duration of 3 seconds, in which the wiring and battery output are checked. In case of a failure or an error, the indicator LED will be off or flicker.

► Occupancy Sensor



OCC

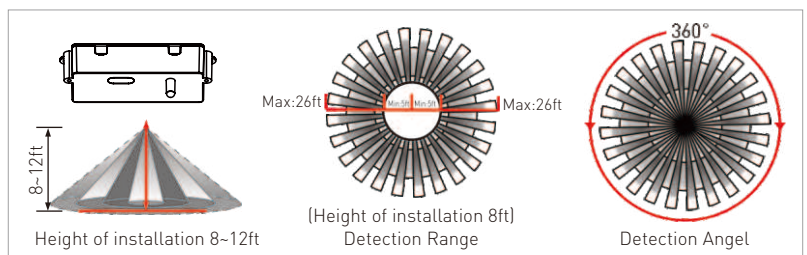
We can provide a factory-installed integrated sensor system for multi-level control based on motion and/or daylight contribution with BRI810-B-D level & daylight harvest microwave sensor from SHARKWARD. For more info or spec sheet, please contact sales.



Specification

Power Supply	120/277 VAC 50/60Hz
Maximum load (@-40°F~+158°F (-40°C~+70°C))	Resistive/ Tungsten-600W@120V Electronic Ballast(LED)-800VA@120V/1200VA@277V
HF System	5.8GHz CW
Dim Control Output	0-10V, max.25mA sinking current
Detection Radius/angle	Max 26ft.(8m)/360
Mounting Height	Max 12ft
Humidity	Max.95% RH
Temperature	-40°F~+158°F (-40°C~+70°C)

Sensor Coverage

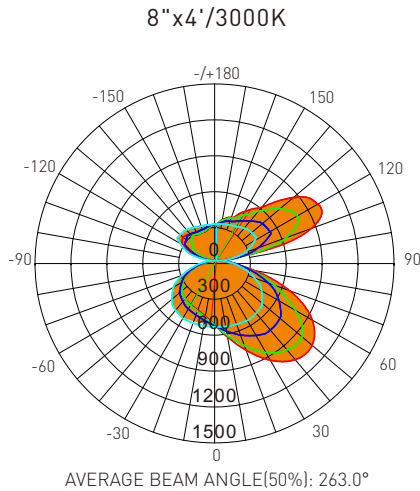


META Up/Down Linear-Pendant

Spec-grade | Architectural LED Linear



DISTRIBUTION DIAGRAM



Lumens: 4618.08 Lm
 Watts: 40 W
 LPW: 121.18 Lm/W
 CCT: 3000K

UNIT: cd
 — C0/180, 151.6°
 — C30/210, 180.2°
 — C60/240, 360.0°
 — C90/270, 360.0°

Zonal Flux Diagram

τ	C0	C45	C90	C135	C180
5	605.5	590.4	555.7	525.5	513.5
10	667.7	631.2	557.2	502.3	482.7
15	738.7	675.9	558.8	483.6	460.1
20	816.4	723.2	560.9	469.0	444.8
25	895.5	767.4	562.9	458.4	434.6
30	969.2	807.0	565.0	449.8	427.4
35	1029	838.6	555.6	442.1	420.7
40	1068	858.3	546.1	432.2	412.2
45	1080	848.0	536.7	407.6	400.1
50	1058	821.9	500.2	374.0	383.0
55	998.1	775.5	463.7	332.2	357.8
60	902.1	670.1	427.2	285.2	325.4
65	756.3	547.0	356.5	237.9	279.6
70	563.9	413.1	285.8	187.5	219.7
75	343.7	270.4	215.1	132.7	146.5
80	116.9	138.8	144.0	81.32	54.69
85	2.771	69.37	72.99	41.71	17.09
90	1.200	2.362	1.952	3.282	1.179
95	1.739	55.62	20.43	30.93	9.619
100	264.0	244.5	158.3	97.05	56.23
105	658.9	376.4	236.4	170.5	186.1
110	876.9	500.0	286.2	246.4	258.9
115	972.9	578.6	336.0	301.5	313.2
120	964.2	599.1	385.8	327.6	332.1
125	921.2	599.8	380.0	340.2	342.0
130	815.7	567.5	374.2	329.4	328.9
135	694.5	512.4	368.4	311.9	303.7
140	580.0	470.1	355.2	292.1	277.5
145	526.4	444.4	342.0	287.8	268.6
150	472.9	411.5	328.8	284.1	265.1
155	426.0	389.2	323.1	280.8	264.2
160	382.7	368.5	317.5	284.3	261.7
165	372.3	352.0	311.8	289.9	274.7
170	351.0	340.3	309.9	297.5	287.7
175	327.4	319.2	308.0	304.8	299.0
180	306.1	306.1	306.1	306.1	302.0
DEG	LUMINOUS INTENSITY:cd				

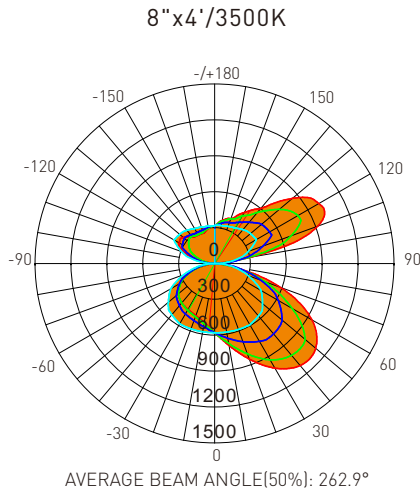
Zonal Lumens

τ	φ total
0-5	13.29
5-10	53.50
10-15	121.4
15-20	218.2
20-25	344.8
25-30	501.9
30-35	688.6
35-40	901.8
40-45	1137
45-50	1387
50-55	1639
55-60	1882
60-65	2104
65-70	2289
70-75	2428
75-80	2518
80-85	2563
85-90	2577
90-95	2593
95-100	2650
100-105	2770
105-110	2942
110-115	3147
115-120	3368
120-125	3586
125-130	3787
130-135	3963
135-140	4113
140-145	4239
145-150	4344
150-155	4429
155-160	4498
160-165	4551
165-170	4588
170-175	4611
175-180	4618
	UNIT: lm

Luminance cd/(m2)

G(DEG)	C0/180	C90/270
85	132	3489
80	2804	3456
75	5533	3462
70	6870	3481
65	7457	3514
60	7517	3560
55	7251	3368
50	6858	3242
45	6362	3163

DISTRIBUTION DIAGRAM



Lumens: 4810.9 Lm
 Watts: 40 W
 LPW: 130.23 Lm/W
 CCT: 3500K

UNIT: cd
 — C0/180, 151.7°
 — C30/210, 179.7°
 — C60/240, 360.0°
 — C90/270, 360.0°

Zonal Flux Diagram

τ	C0	C45	C90	C135	C180
5	631.9	616.1	580.3	548.6	536.0
10	696.6	659.0	582.0	524.4	503.6
15	770.6	705.7	583.8	504.9	480.3
20	851.6	755.2	586.2	489.8	464.0
25	933.7	801.4	588.5	478.7	453.2
30	1010	842.7	590.9	469.7	445.8
35	1072	875.8	580.8	461.3	438.6
40	1113	896.2	570.8	450.5	429.8
45	1125	885.0	560.7	424.5	417.1
50	1102	857.4	500.2	374.0	383.0
55	1039	808.4	484.7	346.5	373.1
60	936.0	697.9	446.7	297.9	339.1
65	783.1	568.3	372.7	248.8	292.0
70	583.7	427.7	298.7	196.0	228.8
75	352.1	278.5	224.7	138.6	152.4
80	119.9	140.8	150.5	85.01	56.68
85	2.893	70.26	76.27	43.72	16.98
90	1.218	2.470	2.040	3.655	1.261
95	1.805	128.2	83.78	51.46	1.851
100	276.1	256.1	165.5	101.7	56.96
105	685.0	393.7	247.2	179.3	190.5
110	916.6	522.3	299.1	258.8	267.3
115	1014	603.9	351.0	314.9	323.5
120	1005	625.2	402.9	342.4	343.3
125	960.6	625.8	396.7	355.3	354.8
130	847.6	591.9	390.6	344.0	341.9
135	721.1	534.5	384.4	325.9	316.6
140	603.7	490.5	370.6	305.5	289.4
145	548.9	463.3	356.8	300.5	279.7
150	492.7	429.2	343.0	296.5	276.5
155	442.7	406.0	337.1	292.9	275.9
160	398.8	384.2	331.3	296.6	272.8
165	388.4	367.1	325.4	302.4	285.8
170	366.1	354.8	323.4	310.4	299.4
175	341.1	332.9	321.4	318.1	311.1
180	319.4	319.4	319.4	319.4	314.4
DEG	LUMINOUS INTENSITY:cd				

Zonal Lumens

τ	φ total
0-5	13.87
5-10	55.83
10-15	126.7
15-20	227.7
20-25	359.8
25-30	523.6
30-35	718.3
35-40	940.6
40-45	1186
45-50	1446
50-55	1709
55-60	1963
60-65	2193
65-70	2385
70-75	2530
75-80	2623
80-85	2670
85-90	2684
90-95	2701
95-100	2760
100-105	2886
105-110	3064
110-115	3278
115-120	3509
120-125	3736
125-130	3945
130-135	4129
135-140	4285
140-145	4416
145-150	4525
150-155	4614
155-160	4686
160-165	4741
165-170	4780
170-175	4803
175-180	4811
	UNIT: lm

Luminance cd/(m2)

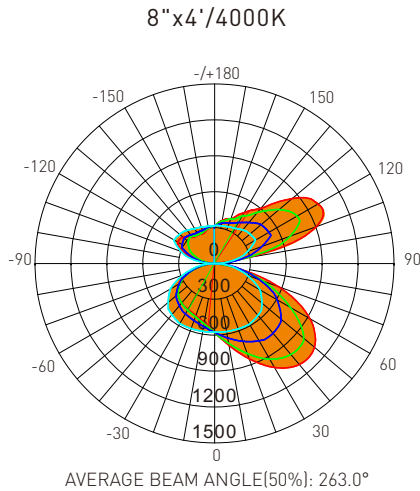
G(DEG)	C0/180	C90/270
85	138	3646
80	2877	3611
75	5668	3618
70	7111	3639
65	7721	3675
60	7800	3722
55	7551	3521
50	7143	3388
45	6627	3304

META Up/Down Linear-Pendant

Spec-grade | Architectural LED Linear



DISTRIBUTION DIAGRAM



Lumens: 4769.73 Lm
 Watts: 40 W
 LPW: 125.05 Lm/W
 CCT: 4000K

UNIT: cd
 — C0/180, 152.2°
 — C30/210, 179.6°
 — C60/240, 360.0°
 — C90/270, 360.0°

Zonal Flux Diagram

τ	C0	C45	C90	C135	C180
5	627.5	612.0	576.4	544.9	532.3
10	691.8	654.6	578.2	521.0	500.1
15	765.0	701.1	580.1	501.6	476.9
20	845.2	750.3	582.5	486.7	460.7
25	926.7	796.2	585.0	475.3	450.0
30	1002	837.3	587.5	465.7	442.5
35	1063	870.3	577.6	456.7	435.4
40	1104	890.6	567.7	445.5	426.6
45	1115	879.4	557.8	420.0	414.1
50	1093	852.1	520.0	385.4	396.2
55	1029	803.3	482.2	342.8	370.3
60	925.6	692.3	444.4	295.9	336.2
65	773.9	562.3	370.9	247.2	289.6
70	576.5	421.9	297.3	194.7	227.3
75	351.1	273.8	223.8	137.9	151.6
80	121.6	137.2	149.9	84.87	56.50
85	3.002	68.55	76.00	43.77	16.89
90	1.246	2.661	2.088	3.893	1.280
95	2.216	127.8	83.31	53.39	1.936
100	272.1	255.0	164.5	105.1	55.83
105	679.1	391.9	245.8	176.1	190.5
110	910.0	519.6	297.4	249.3	265.8
115	1007	600.8	349.1	304.9	322.6
120	999.2	622.0	400.7	334.1	349.8
125	954.7	622.6	394.6	349.8	353.2
130	842.5	588.9	388.5	340.2	340.4
135	716.6	531.8	382.5	323.7	315.8
140	600.2	488.1	368.7	303.5	287.9
145	545.6	461.0	354.9	299.0	278.1
150	489.6	426.9	341.2	294.9	274.5
155	439.8	403.6	335.3	291.3	272.9
160	396.5	382.0	329.5	294.8	269.2
165	386.1	365.1	323.6	300.7	282.1
170	364.0	352.8	321.7	308.6	296.2
175	339.4	331.1	319.7	316.3	309.1
180	317.8	317.8	317.8	317.8	312.9
DEG	LUMINOUS INTENSITY:cd				

Zonal Lumens

τ	φ total
0-5	13.78
5-10	55.45
10-15	125.8
15-20	226.1
20-25	357.2
25-30	519.8
30-35	713.0
35-40	933.6
40-45	1177
45-50	1435
50-55	1696
55-60	1947
60-65	2175
65-70	2366
70-75	2509
75-80	2601
80-85	2647
85-90	2662
90-95	2678
95-100	2737
100-105	2861
105-110	3037
110-115	3249
115-120	3477
120-125	3702
125-130	3910
130-135	4092
135-140	4247
140-145	4378
145-150	4486
150-155	4574
155-160	4645
160-165	4700
165-170	4739
170-175	4762
175-180	4770
	UNIT: lm

Luminance cd/(m2)

G(DEG)	C0/180	C90/270
85	144	3634
80	2917	3597
75	5652	3604
70	7023	3622
65	7630	3656
60	7713	3703
55	7476	3503
50	7083	3371
45	6571	3287